



HBP-4000-4 BLOWER PURGE DESICCANT AIR DRYER GENERAL ARRANGEMENT

TOLERANCES UNLESS OTHERWISE SPECIFIED:

- FRACTIONS = ± 1/4 "
- ANGLES = ± 3°
- INCHES = ± 1/2 "
- FINISH = 250

THE SPECIFICATIONS AND DRAWINGS DISCLOSED HEREIN ARE THE SOLE PROPERTY OF ALTEC AIR, AND SHALL NOT BE COPIED OR USED AS THE BASIS FOR SALE OR MANUFACTURE WITHOUT EXPRESS WRITTEN PERMISSION.

REVISION LOG

REV.	ECO.	DESCRIPTION	DATE	APPROVED
D	0837	REPLACED STEEL PLATE WITH CHANNEL	3/11/2019	WS

DRAWING NO.

AT20-435

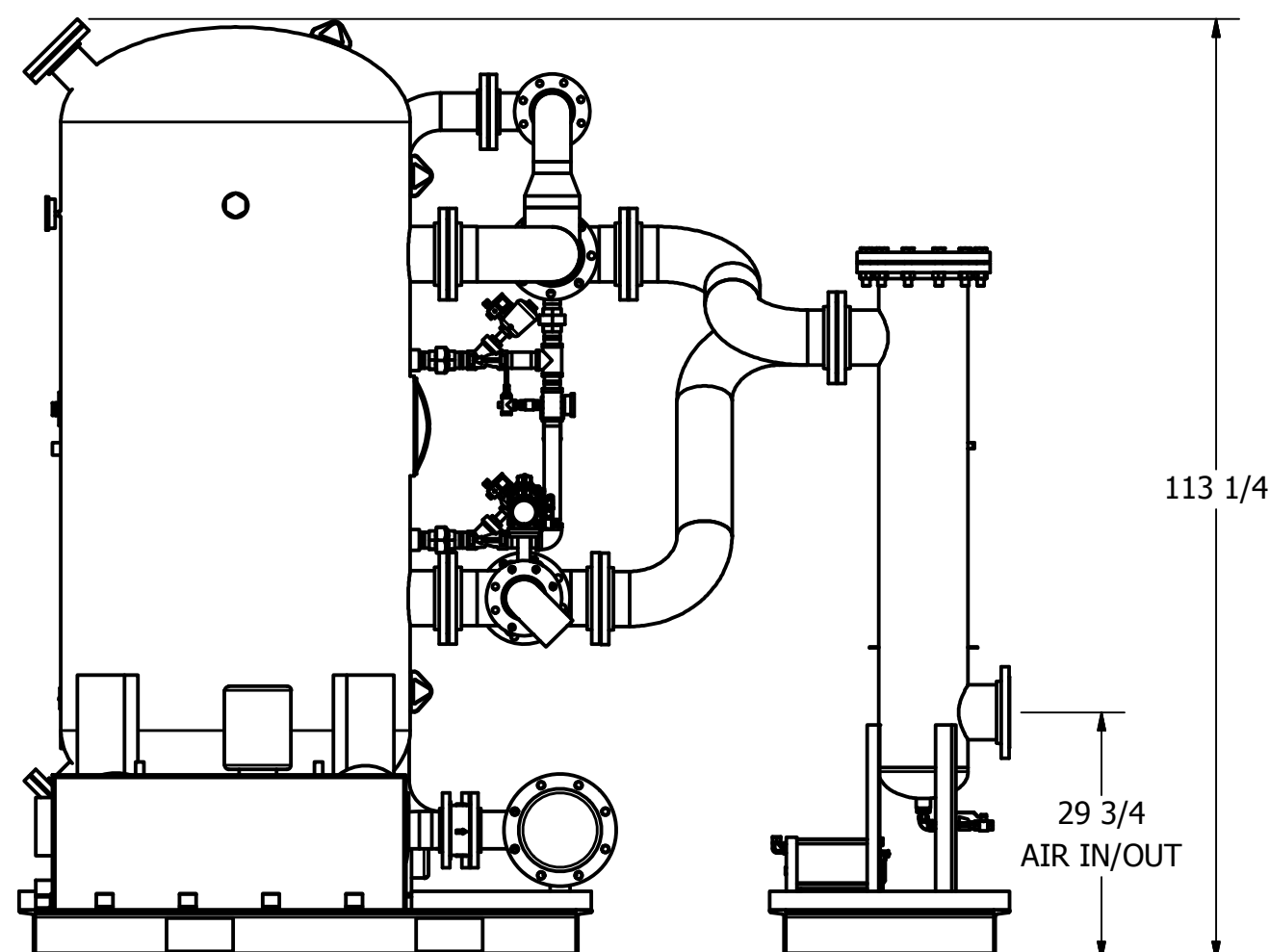
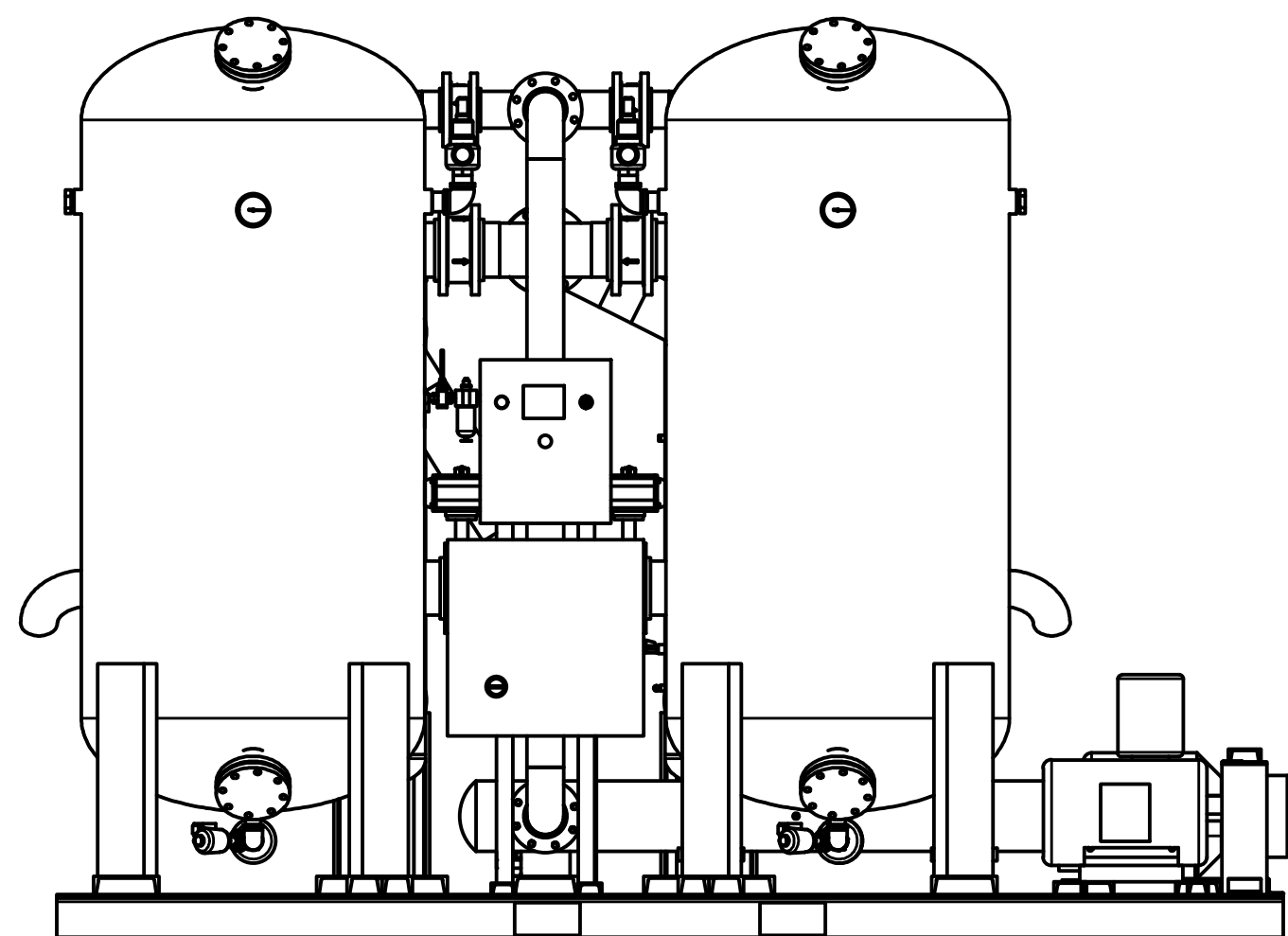
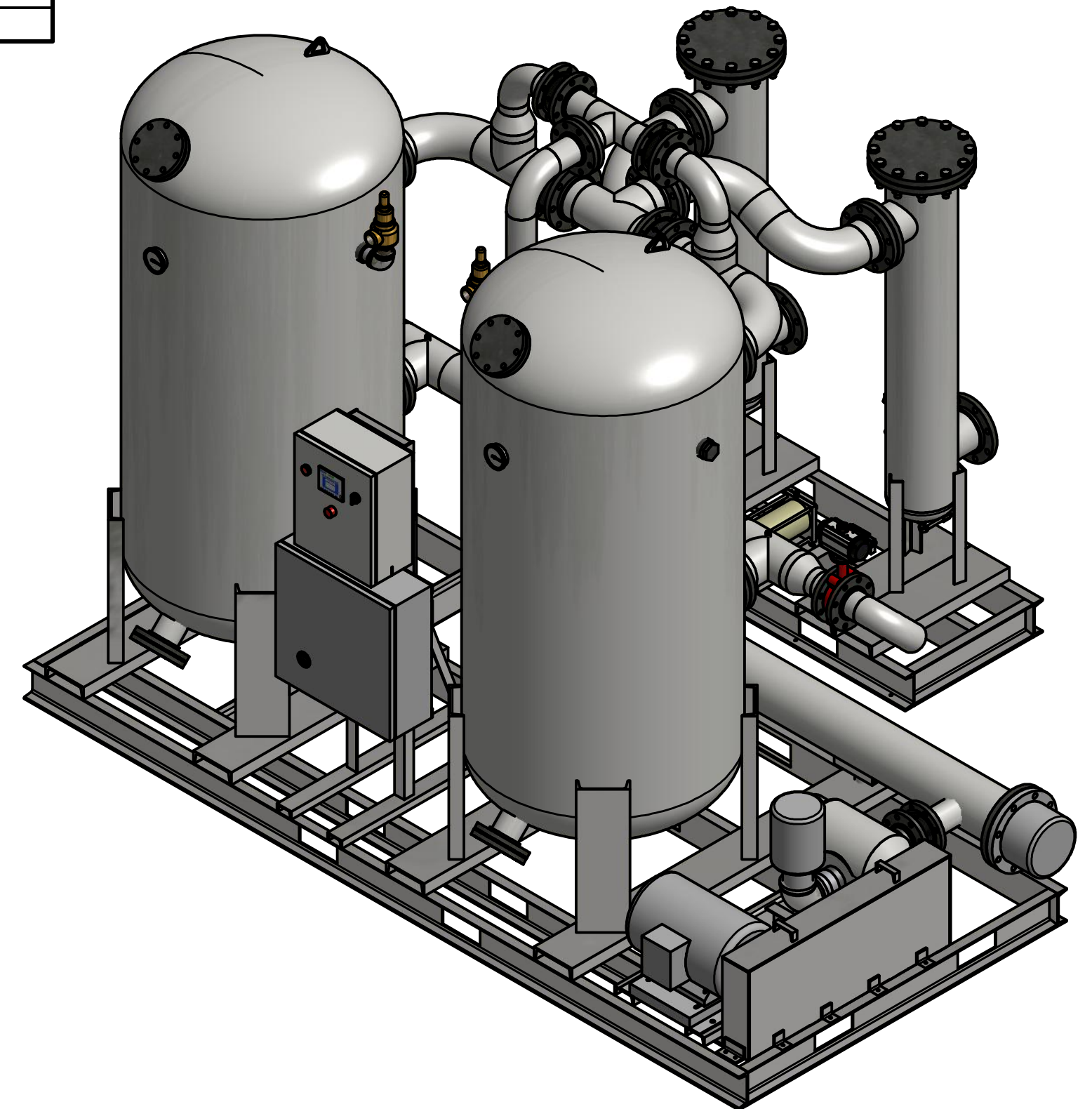
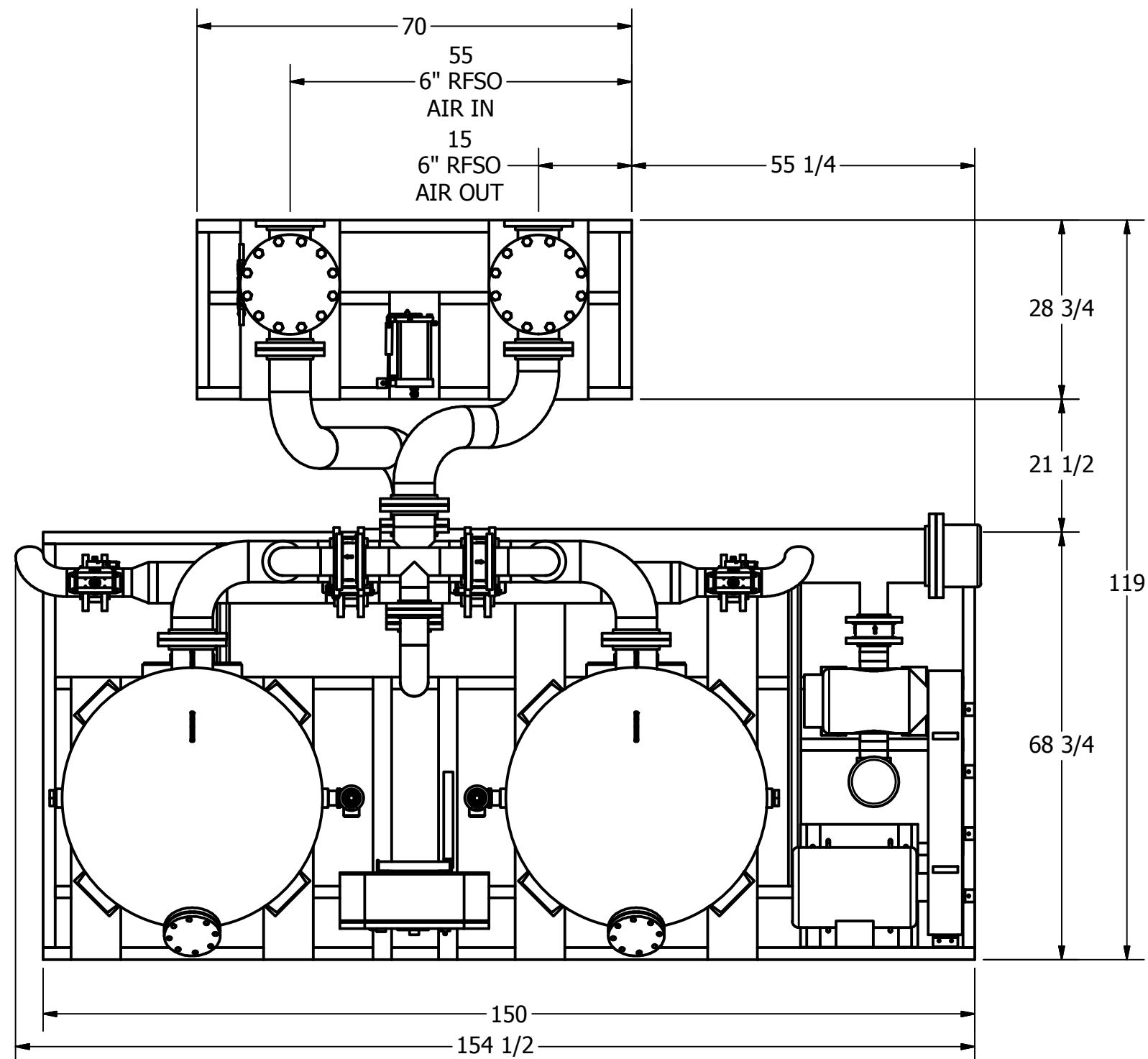
REV. D

DRAWN: MR
CHECKED:

DATE: 5/13/2015
DATE:

SCALE: N/A

SHEET: 1 OF 1



PRELIMINARY